

2.3" Four-Digit Flush Mount Clock

DC-25F

DC-DigitalTM
by IES Ltd.



Features

- Steel case
- Only two wires required
- Surface or flush mount*
- Low voltage operation
- 5-year warranty (clock only)
- 2.3" super bright display
- Patented clock design
- 24 or 120 volt AC operation

Specifications

- **Display** Four digit; seven segment; red or green LED display
- **Case** Steel; 12.83"W x 5.35"H x .43"D face plate only
- **Weight** 2 pounds unpackaged face plate only
- **Power Source**

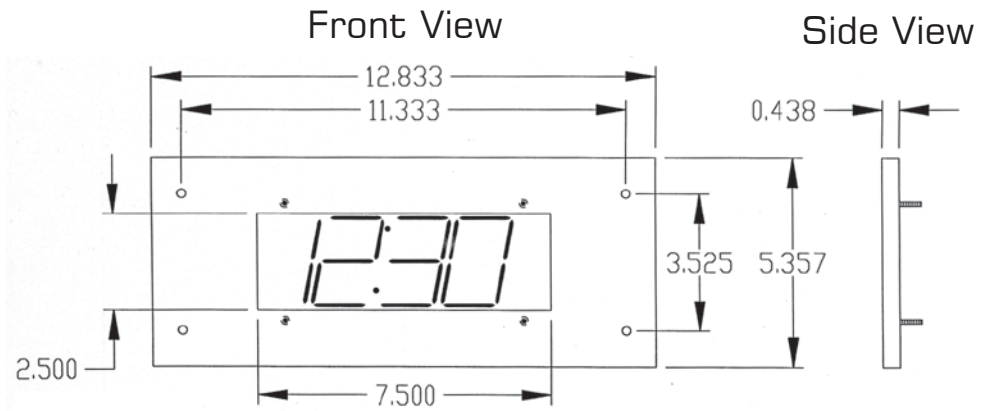
DC-25F	24VDC at 175mA
DC-25F	24VAC 60HZ at 175mA
AC-25AF	120VAC 60HZ at 65mA
- **Operating Temp.** 0° to 49° Celsius (32° to 120° Fahrenheit)
- **Case Finish** Black powder coating
- **Cabling** Two wires
- **Options** Back box enclosures surface or flush

DC-Digital Flush Mount Clock Description

The DC-Digital Flush Mount Clock is designed for new and existing clock installations. This flexible design allows either surface or flush mount time keeping, in one convenient and simple design.

*Note: This unit is shown with the optional flush mount back box.

DC-Digital DC-25F Flush Clock Dimensions



Flush Clock Back Box Design (Flush Mount)

